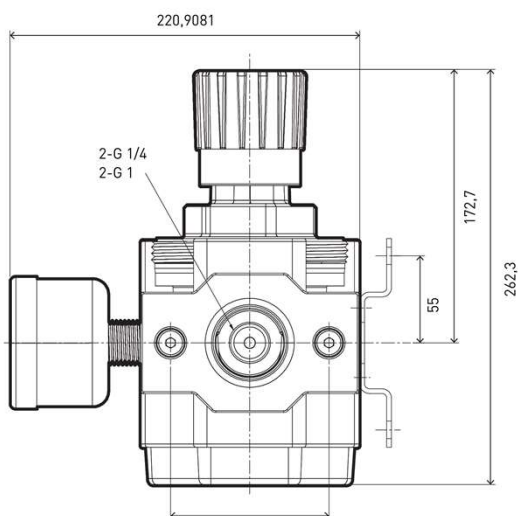
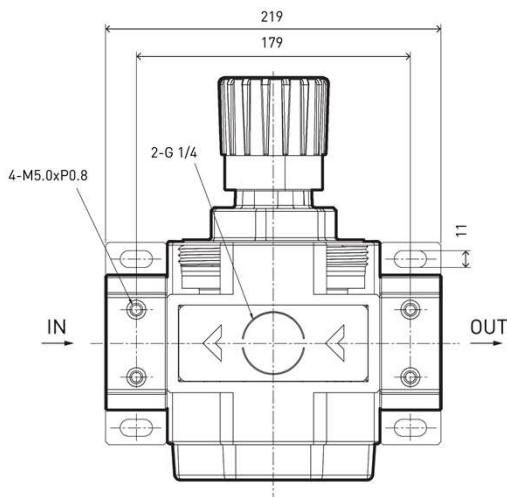




Pressure Regulator

The AIRnet pressure regulators are precise & very simple to operate. It ensures that the desired pressure is supplied to the point of use machines in the most efficient way .



Specifications

MOC Body	Aluminum die cast
Operating Pressure range	0,5 to 10 bar
Temperature Range	-10°C to 60°C
Standard Accessories	Pressure gauge, mounting bracket, plug , screw (4x)

Ordering Information

Partnumber	AirFlow _{SEP} /m in	Size	Connection Type	Weight KG
2811 1080 00	8000	3/4"	BSP	1,25
2811 1081 00	8000	3/4"	NPT	1,25
2811 2080 00	8500	1"	BSP	1,25
2811 2081 00	8500	1"	NPT	1,25